



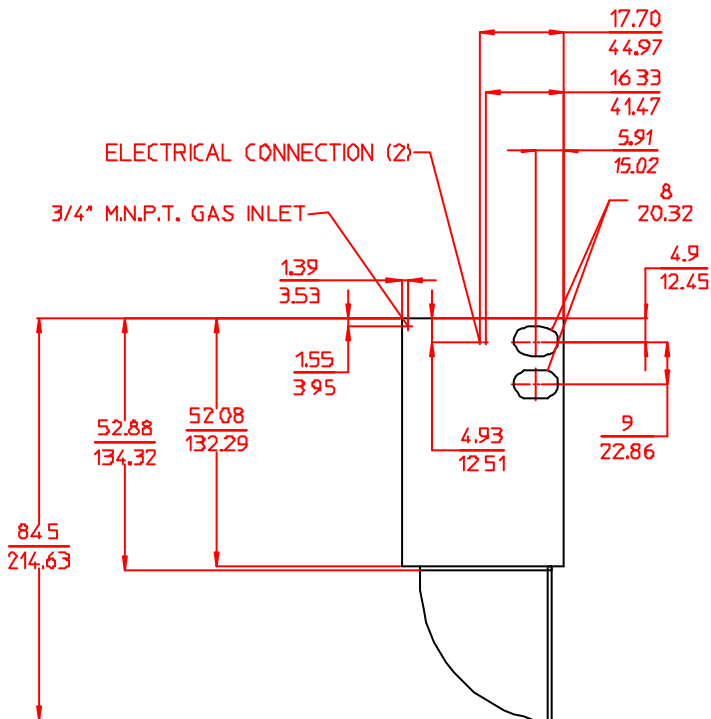
AD-4545

MAXIMUM CAPACITY (DRY WEIGHT) PER POCKET		45 lb	20.41 kg	
TUMBLER DIAMETER		32-3/4"	83.19 cm	
TUMBLER DEPTH		30"	76.20 cm	
TUMBLER VOLUME PER POCKET		14.6 cu ft	413.43 L	
TUMBLER/DRIVE MOTOR PER POCKET		3/4 hp	0.56 kW	
BLOWER/FAN MOTOR PER POCKET		BLOWER DRIVEN BY TUMBLER MOTOR		
DOOR OPENING (DIAMETER)		27"	68.6 cm	
DOOR SILL HEIGHT TOP POCKET / BOTTOM POCKET		50-1/4" / 10-1/4"	127.64 cm / 26.04 cm	
WATER CONNECTION		N / A		
DRYERS PER 20'/40' CONTAINER		10 / 21		
DRYERS PER 48'/53' TRUCK		25 / 28		
Gas	VOLTAGE AVAILABLE		120-240V 1,3ø 2,3w 50/60 Hz	
	APPROXIMATE NET WEIGHT		1,015 lb 460.40 kg	
	APPROXIMATE SHIPPING WEIGHT		1,050 lb 476.27 kg	
	AIRFLOW PER POCKET	60 Hz	600 cfm	16.99 cmm
		50 Hz	500 cfm	14.16 cmm
	HEAT INPUT PER POCKET		112,000 Btu/hr	28,230 kcal/hr
	EXHAUST CONNECTION (DIAMETER) PER POCKET		(2) 8" Standard (1) 10" Optional	(2) 20.32 cm (1) 25.4 cm
	COMPRESSED AIR CONNECTION		N / A	
	COMPRESSED AIR VOLUME		N / A	
	INLET PIPE CONNECTION		3/4" M.N.P.T. 3/4" F.B.S.P.T. (CE and Australia Only)	
Electric	VOLTAGE AVAILABLE		N / A	
	APPROXIMATE NET WEIGHT			
	APPROXIMATE SHIPPING WEIGHT			
	AIRFLOW PER POCKET			
	EXHAUST CONNECTION (DIAMETER) PER POCKET			
	COMPRESSED AIR CONNECTION			
	COMPRESSED AIR VOLUME			
	OVEN SIZE PER POCKET			
	kW	Btu/hr		kcal/hr
Steam	VOLTAGE AVAILABLE		N / A	
	APPROXIMATE NET WEIGHT			
	APPROXIMATE SHIPPING WEIGHT			
	AIRFLOW PER POCKET			
	STEAM CONSUMPTION PER POCKET			
	OPERATING STEAM PRESSURE			
	EXHAUST CONNECTION (DIAMETER) PER POCKET			
	COMPRESSED AIR CONNECTION			
	COMPRESSED AIR VOLUME			
	BOILER HORSEPOWER (NORMAL LOAD) PER POCKET			
	SUPPLY CONNECTION PER POCKET			
	RETURN CONNECTION PER POCKET			

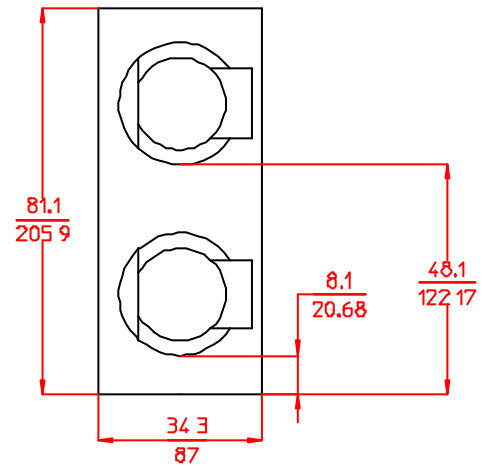
AD-4545

DRYER NOTES:

- * DUCTWORK SIZE VARIES WITH INSTALLTION CONDITIONS.
- * EXHAUST STATIC PRESSURE MUST BE NO LESS THAN 0 AND MUST NOT EXCEED 0.6 (1.48 MB) WATER COLUMN



PLAN VIEW



FRONT VIEW



88 Currant Road • Fall River, MA 02720
Tel. 508-678-9000 • Fax 508-678-9447
sales@amdry.com • www.amdry.com