

ADC Elite High Efficiency Washer & Dryer

19 -lb Capacity Washer & 20-lb Capacity Dryer

ADC's Elite Wash & Dry System is redefining the modern laundry room. ADC's Elite front-loading washer and dryer helps laundry managers conserve energy with fewer, larger loads lowering water and energy bills. Energy efficient designs and dependability are among the most important factors to consider when equipping a laundry room.

ADC also brings commercial-like durability and strength into the laundry pair while delivering gentle performance for a wide range of fabrics with quiet operation and ease of installation.

Washer Features

Energy Efficient

ADC's 19 lb capacity Elite front load washer keeps water usage to an ultra-low 14.8 gallons per cycle, which can help your laundry reduce expenses.

Lower Costs

Elite's efficient motor produces a 1,200 RPM spin speed. This spins more water out of loads and keeps drying times and utility costs down, while increasing throughput.

ADC Elite Washer

- 3.8 I.E.C. Cu Ft. Capacity
- Stainless Steel Drum
- High-Efficiency Wash System
- Up to 1200 RPM Spin Speed
- 1000 W In-Line Water Heater
- Electronic Touch Sensor Controls

Dryer Features

Time Savings

A large 7-1/2 cu. ft. tumbler saves time by handling your largest loads and oversized items.

Rugged Reliability

Durable high-quality ADC components ensure your laundry gets years of solid performance from your investment.

ADC Elite Dryer

- 20 lbs. Dry Weight Capacity
- 7-1/2 cu. ft. Tumbler
- Electrically Heated
- 230 cfm Airflow



Your local ADC independent authorized distributor



Proudly made in the U.S.A

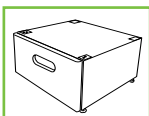
ADC Elite High Efficiency Washer & Dryer

Washer Specifications	
Washer Capacity	19 lbs. (9 kg)
Tumbler Volume	3.8 cu ft (IEC equiv.)
Width	27.0" (687 mm)
Depth w/handle	32.8" (833 mm)
Height	41.7" (1,059 mm)
Height (Feet Extended)	42.7" (1,085 mm)
Weight	289 lbs. (132 kg)
Maximum Spin Speed	1,200 RPM
Average Water Usage / Normal Cycle	14.8 Gal/56 L
Electrical Requirements	Heating Power 1,000W Max. Current 12A Rated Current 15A Voltage 120v Frequency 60 Hz
Programs	Program Selector Button 11 Programs Temperature Selector Button (6 levels) Spin Speed Button (6 levels)
Color	White
Installation Option	Pedestal

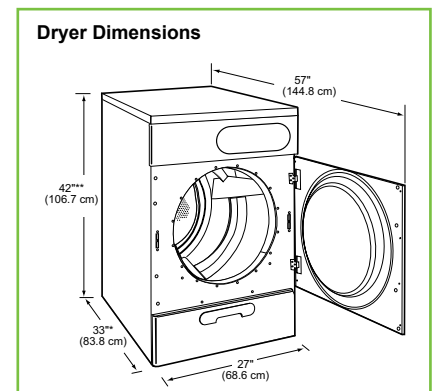
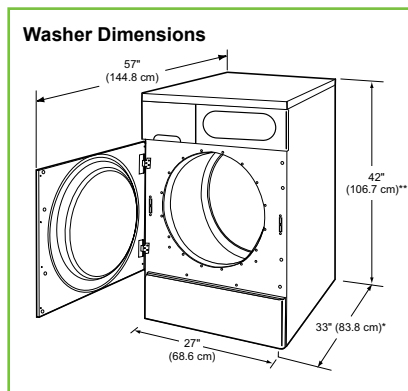
Dryer Specifications																													
Tumbler Capacity	20 lbs. (9.07 kg)																												
Tumbler Diameter	25-3/4" (65.41 cm)																												
Tumbler Depth	24" (60.96 cm)																												
Tumbler Volume	7-1/2 cu ft (212.38 L)																												
Tumbler/Drive Motor	1/4 hp (0.19 kW)																												
Blower/Fan Motor	1/3 hp (.25 kW)																												
Door Opening (Diameter)	19-3/8" (49.21 cm)																												
Door Sill Height	13" (33.02 cm)																												
S.A.F.E. Water Connection	North America 3/4"-11.5 NH Outside North America 3/4" B.S.P.T.																												
Dryers per 20'/40' Container	42 / 84																												
Dryers per 48'/53' Truck	96 / 108																												
Width	27" (68.58 cm)																												
Depth	30-19/32" (77.72 cm)																												
Height	40-13/16" (103.67 cm)																												
Airflow	60 Hz 230 cfm (6.51 cmm) 50 Hz 191 cfm (5.40 cmm)																												
Exhaust Connection	4" (10.16 cm)																												
ELECTRIC MODEL:	Approx. Net Wt. 245 lbs (111.13 kg) Approx. Ship Wt. 265 lbs (120.20 kg)																												
<table border="1"> <thead> <tr> <th colspan="4">Oven Size per pocket</th> </tr> <tr> <th>kW</th> <th>Btu/hr (kcal/hr)</th> <th>kW</th> <th>Btu/hr (kcal/hr)</th> </tr> </thead> <tbody> <tr> <td>4.1</td> <td>13,843 (3,488)</td> <td>6.5</td> <td>22,184 (5,590)</td> </tr> <tr> <td>5.0</td> <td>17,065 (4,300)</td> <td>6.8</td> <td>23,208 (5,848)</td> </tr> <tr> <td>5.4</td> <td>18,430 (4,644)</td> <td>7.4</td> <td>25,255 (6,364)</td> </tr> <tr> <td>5.6</td> <td>19,112 (4,816)</td> <td>7.5</td> <td>25,597 (6,450)</td> </tr> <tr> <td>6.1</td> <td>20,819 (5,246)</td> <td>8.1</td> <td>27,644 (6,966)</td> </tr> </tbody> </table>		Oven Size per pocket				kW	Btu/hr (kcal/hr)	kW	Btu/hr (kcal/hr)	4.1	13,843 (3,488)	6.5	22,184 (5,590)	5.0	17,065 (4,300)	6.8	23,208 (5,848)	5.4	18,430 (4,644)	7.4	25,255 (6,364)	5.6	19,112 (4,816)	7.5	25,597 (6,450)	6.1	20,819 (5,246)	8.1	27,644 (6,966)
Oven Size per pocket																													
kW	Btu/hr (kcal/hr)	kW	Btu/hr (kcal/hr)																										
4.1	13,843 (3,488)	6.5	22,184 (5,590)																										
5.0	17,065 (4,300)	6.8	23,208 (5,848)																										
5.4	18,430 (4,644)	7.4	25,255 (6,364)																										
5.6	19,112 (4,816)	7.5	25,597 (6,450)																										
6.1	20,819 (5,246)	8.1	27,644 (6,966)																										
GAS MODEL:	Approx. Net Wt. 245 lbs (111.13 kg) Approx. Ship Wt 265 lbs (120.20 kg) Heat Input 40,000 btu/hr (10,080 kcal/hr) Inlet Pipe Connection 3/8" M.B.S.P.T. (CE and Australia Only)																												

5/1/06

Dryer - Electrical Service Specifications						
ELECTRIC MODEL ONLY						
SERVICE VOLTAGE	PHASE	WIRE SERVICE	OVEN kW	APPROX AMP DRAW		CIRCUIT BREAKER
				60 Hz	50 Hz	
200	1ø	2	5.6	32.7	32.7	45
208	1ø	2	4.1	24.2	--	35
208	1ø	2	6.1	34.0	--	45
220	1ø	2	6.8	35.6	--	45
230	1ø	2	5.0	--	26.4	35
230	1ø	2	7.4	--	36.8	50
240	1ø	2	5.4	27.1	--	35
240	1ø	2	8.1	38.4	38.4	50
208	3ø	3	6.5	22.7	--	30
240	3ø	3	7.5	22.6	--	30
380	3ø	4	6.8	--	15.0	20
400	3ø	4	7.5	--	15.5	20
416	3ø	4	8.1	--	15.8	20
GAS MODEL ONLY						
SERVICE VOLTAGE	PHASE	WIRE SERVICE	APPROX AMP DRAW		CIRCUIT BREAKER	
			60 Hz	50 Hz		
120	1ø	2	8.9	--	15	
200	1ø	2	7.7	7.8	15	
208	1ø	2	7.6	--	15	
220	1ø	2	--	7.4	15	
230	1ø	2	--	7.3	15	
240	1ø	2	7.2	7.0	15	



A pedestal may be purchased separately for both the washer and dryer. The pedestal will add about 11" (27.9 cm) to the height for a total vertical height of approximately 53" (134.6 cm).



* Includes the door handle

** Includes the feet extended 1" (2.5 cm). The optional decorative mat (included) will add approximately 1/2" (1.3 cm) to the height.



88 Currant Road Fall River, MA 02720-4781 • 508.678.9000 • Fax: 508.678.9447 • Email: sales@amdry.com

P/N 450614.A 04/10

* Specifications are subject to change without notice or obligation. Contact ADC for dimensions not shown or for clarification.

www.amdry.com